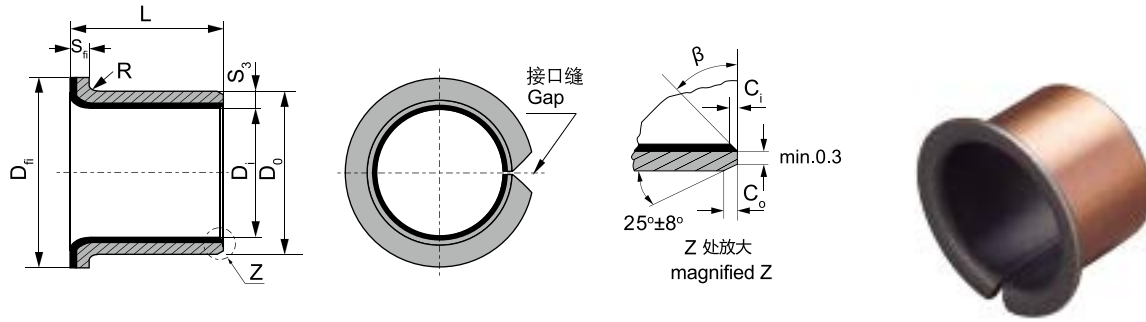


# SF-1F 自润滑卷制翻边轴承标准公制尺寸

## SF-1F Self-Lubricating Flanged Bearing Standard Metric Size



S <sub>3</sub>	1.0	1.5	2.0	2.5
R	1 <sup>-0.5</sup>	1±0.5	1.5±0.5	2±0.5

单位Unit: mm

轴径(f7) Shaft D <sub>s</sub>	座孔(H7) Housing D <sub>H</sub>	(OD) 外径公差 Tolerance D <sub>o</sub>	(ID)压装后 内孔公差 After assembled D <sub>i</sub>	配合间隙 Clearance C <sub>o</sub>	Designation 型号规格	Wall thickness 壁厚 S <sub>3</sub>	尺寸 Dimension					
							D <sub>i</sub>	D <sub>o</sub>	D <sub>i</sub> ± 0.5	L ± 0.25	S <sub>i</sub> - 0.2	
6 -0.013 -0.028	8 +0.015	8 +0.055 +0.025	6.055 5.990	0.077 0.000	SF-1F06040	1.005 0.980	6	8	12	4		
					SF-1F06070							7
8 -0.013 -0.028	10 +0.015	10 +0.055 +0.025	8.055 7.990	0.083 0.003	SF-1F08055	1.005 0.980	8	10	15	5.5		
					SF-1F08075							7.5
10 -0.016 -0.034	12 +0.018	12 +0.055 +0.025	10.058 9.990	0.086 0.003	SF-1F10070	1.005 0.980	10	12	18	7		
					SF-1F10090							9
					SF-1F10120							12
12 -0.016 -0.034	14 +0.018	14 +0.065 +0.030	12.058 11.990	0.092 0.006	SF-1F12070	1.005 0.980	12	14	20	7	1	
					SF-1F12090							9
					SF-1F12120							12
14 -0.016 -0.034	16 +0.018	16 +0.065 +0.030	14.058 13.990	0.092 0.006	SF-1F14120	1.005 0.980	14	16	22	12		
					SF-1F14170							17
					SF-1F15090							9
15 -0.016 -0.034	17 +0.018	17 +0.065 +0.030	15.058 14.990	0.092 0.006	SF-1F15090	1.005 0.980	15	17	23	12		
					SF-1F15120							12
					SF-1F15170							17
16 -0.016 -0.034	18 +0.018	18 +0.065 +0.030	16.058 15.990	0.092 0.006	SF-1F16120	1.005 0.980	16	18	24	12		
					SF-1F16170							17
					SF-1F18120							12
18 -0.016 -0.034	20 +0.021	20 +0.075 +0.035	18.061 17.990	0.095 0.006	SF-1F18170	1.005 0.980	18	20	26	17		
					SF-1F18200							20
					SF-1F20115							11.5
20 -0.020 -0.041	23 +0.021	23 +0.075 +0.035	20.071 19.990	0.112 0.010	SF-1F20165	1.505 1.475	20	23	30	16.5		
					SF-1F20215							21.5
					SF-1F22150							15
22 -0.020 -0.041	25 +0.021	25 +0.075 +0.035	22.071 21.990	0.112 0.010	SF-1F22200	1.505 1.475	22	25	32	20	1.5	
					SF-1F25115							11.5
					SF-1F25165							16.5
25 -0.020 -0.041	28 +0.021	28 +0.075 +0.035	25.071 24.990	0.126 0.010	SF-1F25215	1.505 1.475	25	28	35	21.5		
					SF-1F30160							16
					SF-1F30260							26
30 -0.025 -0.050	34 +0.025	34 +0.075 +0.035	30.085 29.990	0.135 0.015	SF-1F35160	2.005 1.970	30	34	42	16	2	
					SF-1F35260							26
					SF-1F40260							26
35 -0.025 -0.050	39 +0.025	39 +0.085 +0.045	35.085 34.990	0.135 0.015	SF-1F40400	2.005 1.970	35	39	47	26		
					SF-1F40400							40
40 -0.025 -0.050	44 +0.025	44 +0.085 +0.045	40.085 39.990	0.135 0.015	SF-1F40400	2.005 1.970	40	44	53	40		
					SF-1F40400							40